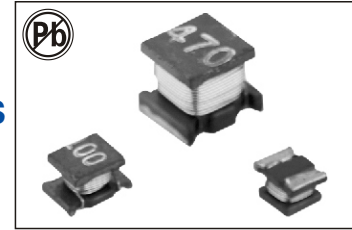


# HIGH CURRENT SURFACE-MOUNT WIRE-WOUND INDUCTORS

## FWLQH-1812 SERIES



### FEATURES:

- Ferrite Core
- High Frequency Design
- Lower DCR permits High Idc
- Available in E12 series
- Excellent Q SRF Values
- Lead free versions
- RoHS compliant
- Excellent Thermal Stability

### OPTIONS:

- Tape & Reel is Standard (Qty:500pcs.)
- Bulk packaging Available for Smaller Quantities
- Tolerance:K=10%,M=20% is Standard, Tighter Tolerances Available

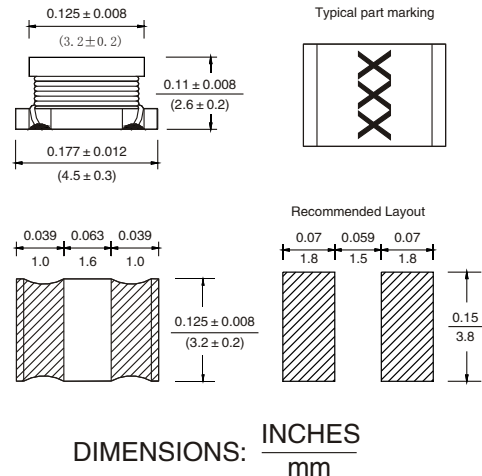
### COMMON APPLICATIONS:

- Modems PDP. LCD TVs convertor
- Mobile Radios DC/DC convertor
- Cordless Telephones Car radios
- Global Positioning Systems
- Wireless Communications Equipment
- Networking System,xDSL Filter
- Computer Products and Peripherals

## STANDARD SPECIFICATION

Part Number (FWLQH 1812 Series)	L(uH)	L Test Freq (KHz)	Q (Min)	Q Test Freq (MHz)	SRF (MHz)	DCR (ΩMax)	IDC (mA Max)
FWLQH-1812-1R0M	1.0	1	20	1	120	0.2	550
FWLQH-1812-1R2M	1.2	1	20	1	100	0.25	530
FWLQH-1812-1R5M	1.5	1	20	1	85	0.28	500
FWLQH-1812-1R8M	1.8	1	20	1	75	0.3	500
FWLQH-1812-2R2M	2.2	1	20	1	62	0.3	500
FWLQH-1812-2R7M	2.7	1	20	1	53	0.32	500
FWLQH-1812-3R3M	3.3	1	20	1	47	0.35	500
FWLQH-1812-3R9M	3.9	1	20	1	42	0.38	500
FWLQH-1812-4R7K	4.7	1	30	1	38	0.4	500
FWLQH-1812-5R6K	5.6	1	30	1	35	0.47	500
FWLQH-1812-6R8K	6.8	1	30	1	32	0.5	500
FWLQH-1812-8R2K	8.2	1	30	1	28	0.56	500
FWLQH-1812-100K	10.0	1	35	1	24	0.56	450
FWLQH-1812-120K	12.0	1	35	1	22	0.62	450
FWLQH-1812-150K	15.0	1	35	1	19	0.73	390
FWLQH-1812-180K	18.0	1	35	1	17	0.82	370
FWLQH-1812-220K	22.0	1	35	1	15	0.94	350
FWLQH-1812-270K	27.0	1	35	1	14	1.1	330
FWLQH-1812-330K	33.0	1	35	1	12	1.2	310
FWLQH-1812-390K	39.0	1	35	1	11	1.4	280
FWLQH-1812-470K	47.0	1	35	1	10	1.5	250
FWLQH-1812-560K	56.0	1	35	1	9.5	1.7	225
FWLQH-1812-680K	68.0	1	35	1	8.5	1.9	220
FWLQH-1812-820K	82.0	1	35	1	7.5	2.2	185
FWLQH-1812-101K	100.0	1	35	0.796	8.8	2.5	175
FWLQH-1812-121K	120.0	1	40	0.796	6.2	3	165
FWLQH-1812-151K	150.0	1	40	0.796	5.5	3.7	155
FWLQH-1812-181K	180.0	1	40	0.796	5	4.5	135
FWLQH-1812-221K	220.0	1	40	0.796	4.5	5.4	125
FWLQH-1812-271K	270.0	1	40	0.796	4	6.8	115
FWLQH-1812-331K	330.0	1	40	0.796	3.7	8.2	100
FWLQH-1812-391K	390.0	1	40	0.796	3.3	9.7	90
FWLQH-1812-471K	470.0	0.001	40	0.796	3	12	80
FWLQH-1812-561K	560.0	0.001	40	0.796	2.7	15	70
FWLQH-1812-681K	680.0	0.001	40	0.796	2.5	17	65
FWLQH-1812-821K	820.0	0.001	40	0.796	2.2	21	60
FWLQH-1812-102K	1000.0	0.001	40	0.796	2	25	50
FWLQH-1812-122K	1200.0	0.001	40	0.796	1.8	30	45
FWLQH-1812-152K	1500.0	0.001	40	0.796	1.6	37	40
FWLQH-1812-182K	1800.0	0.001	40	0.796	1.5	45	35
FWLQH-1812-222K	2200.0	0.001	40	0.796	1.3	50	30

## PHYSICAL CHARACTERISTICS



## ELECTRONICAL SCHEMATIC



## TECHNICAL INFORMATION

- Inductance Testing: HP4291A, HP16193A, HP4286A or equivalent
- RDC: QuadTech 1880 Milliohm meter
- Q- HP4342A
- SRF- HP4191A
- Rated Current L value drop 10% typ. at IDC against its initial value
- Temperature rise 40°C Max Reference ambient temperature
- Solderability: 75% of the terminal electrode shall be covered
- Soldering Methods: Wave, Reflow
- Operating Temperature: -25°C to +85°C
- Storage Temperature: -55°C to +125°C

Note: All specifications subject to change without notice.

### FWLQH1812-100M

